

# GSHV Gold Series® High Vacuum Dust Collector for High Pressure/Vacuum Applications



**High Vacuum Dust Collector** can be used in applications up to 17 in Hg or 8 psi positive pressure. Common applications include central vacuum systems, positive or negative product receivers and high pressure bin vents.

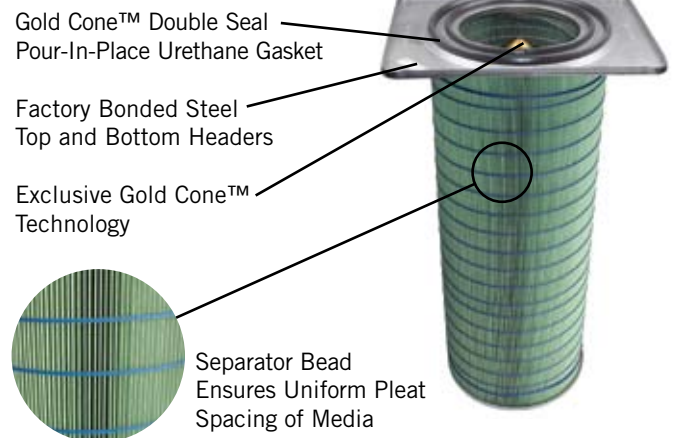
## Standard Features & Benefits —

- Heavy duty 10 and 7 gauge construction
- Vessel strength: 17 in Hg vacuum, 8 psi positive pressure (without explosion vent)
- Flanged, tangential inlet minimizes dust contacting the filters
- Two models available:
  - GS2HV (2-cartridge design)
  - GS4HV (4-cartridge design)
- Can be configured as a stand-alone dust collector or without hopper and support structure for bin vent applications
- Pulse-cleaning system includes field-mountable, solid state control panel

## Options —

- Horizontal explosion vent
- Bag-in bag-out filter access door for pharmaceutical/hazardous dusts
- Continuous liner discharge for pharmaceutical/hazardous dusts
- Discharge collection devices such as a 55-gallon drum or self-dumping hopper.

## HemiPleat® Gold Cone™ Filter Cartridge



|                                      |               |
|--------------------------------------|---------------|
| Camfil Farr APC                      | Product Sheet |
| GSHV Gold Series® High Vacuum        |               |
| SAFE AIR FOR A SAFE WORK ENVIRONMENT |               |

# Safety & Protection

Optional bag-in bag-out (BIBO) filter access door for pharmaceutical/hazardous dusts



Stainless Steel High Vacuum (HV) Gold Series® GS4HV 4 Cartridges



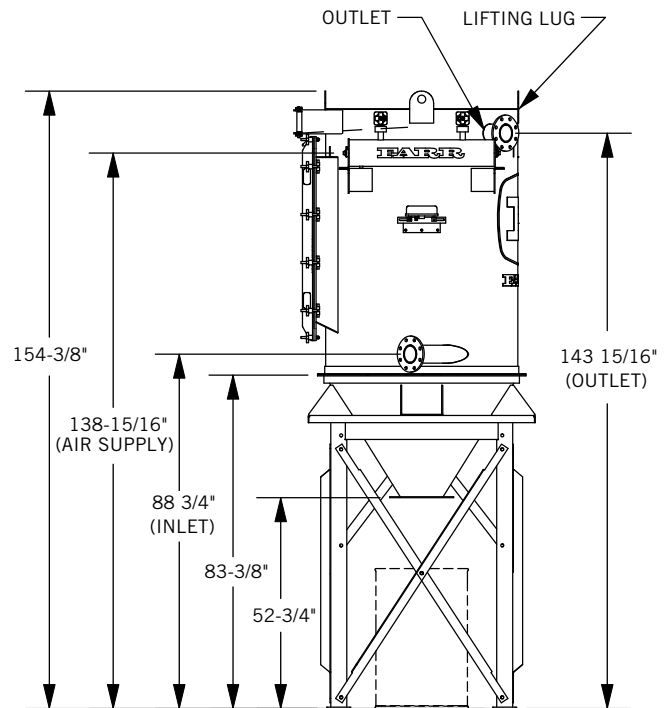
Pulse cleaning system

Heavy duty tank head

Cyclonic tangential inlet

Optional continuous liner discharge for pharmaceutical/hazardous dusts

GSHV shown with optional BIBO door and continuous liner discharge.



3505 Airport Rd. • Jonesboro, AR 72401 • 870-933-8048 • Fax: 870-933-8380  
 www.farrapc.com • e-mail: filterman@farrapc.com • 800-479-6801

Visit [www.camfilfarrapc.com](http://www.camfilfarrapc.com) for offices out of North America.



SAFE AIR FOR A SAFE WORK ENVIRONMENT

011910